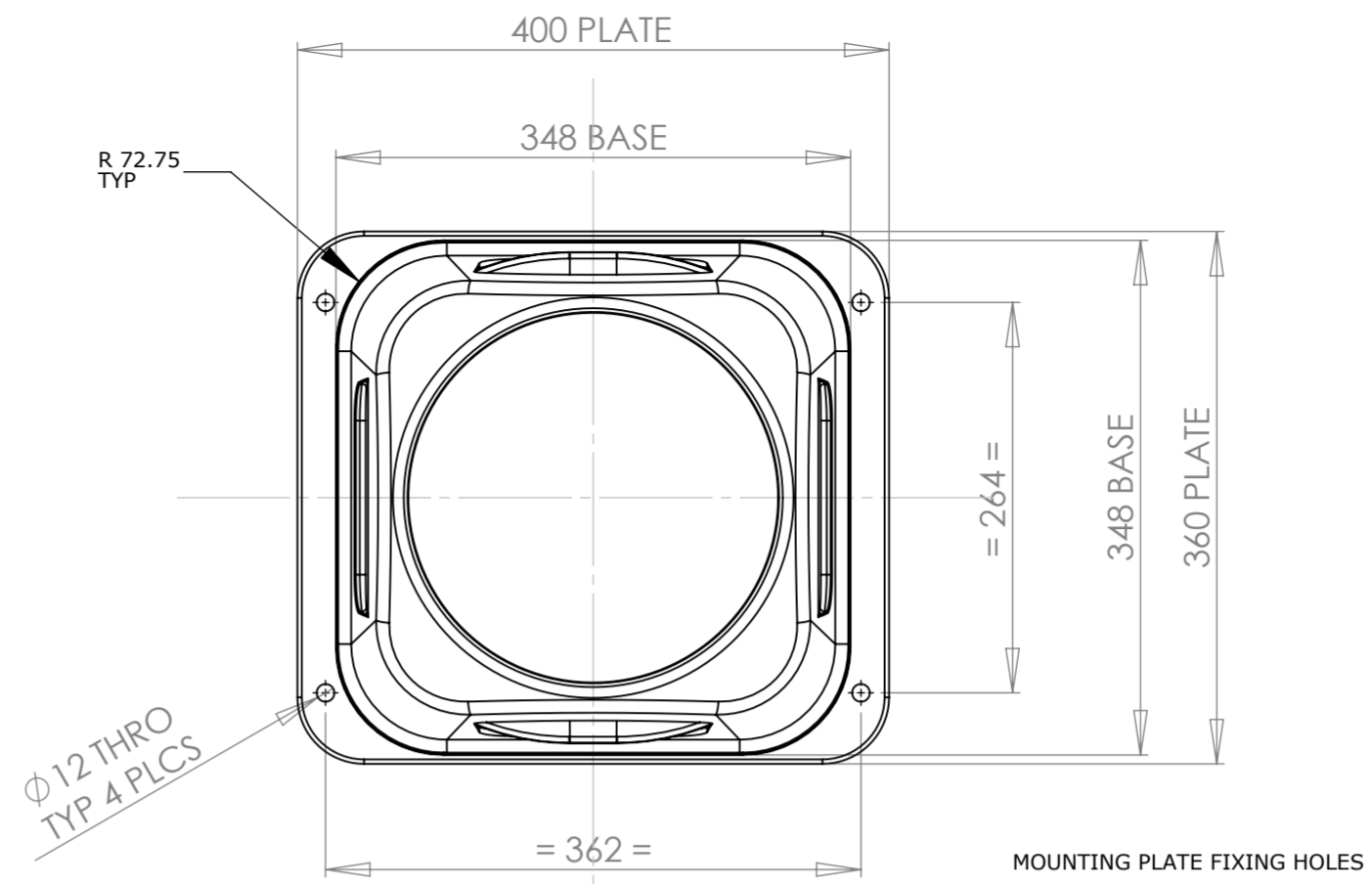
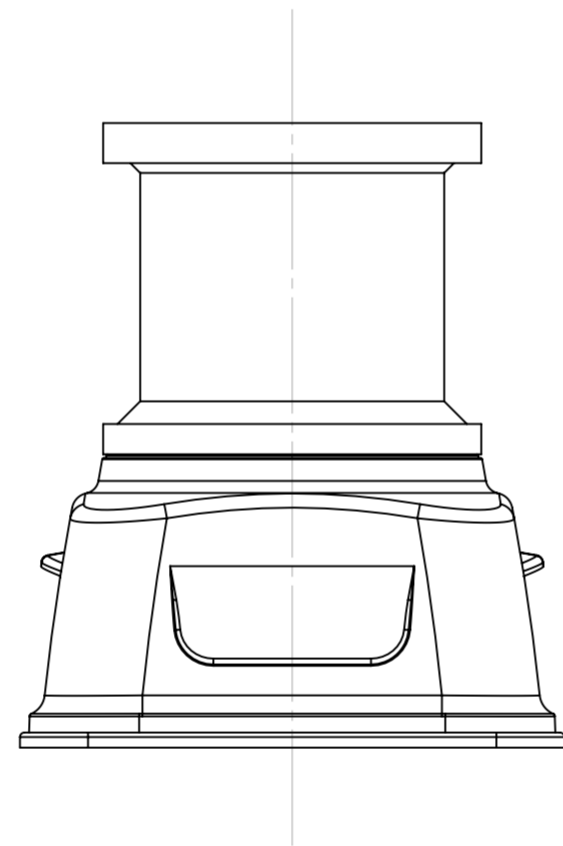
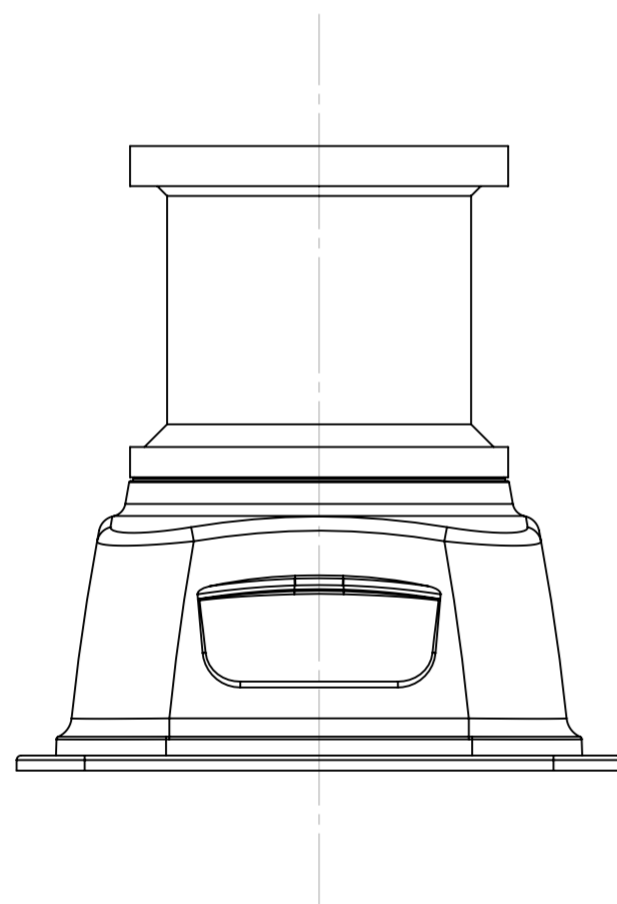
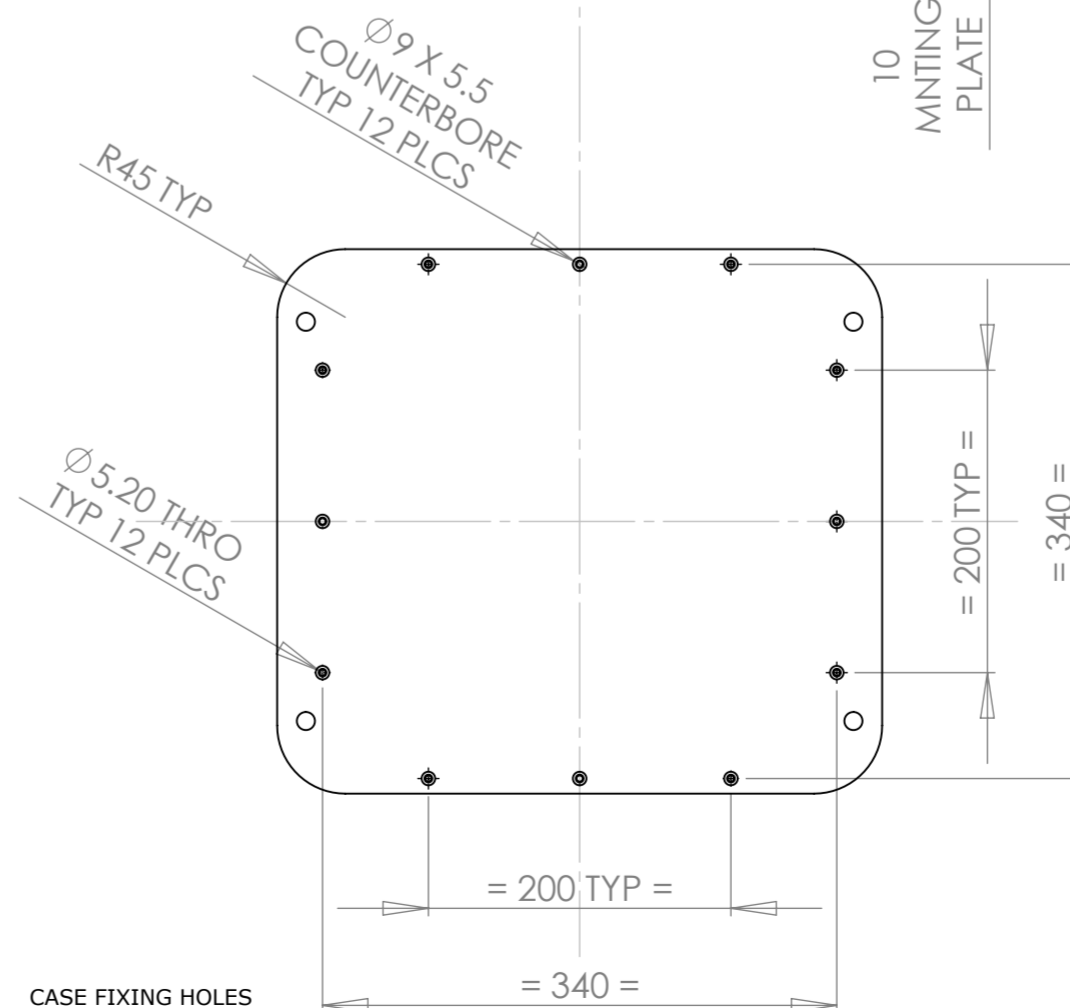
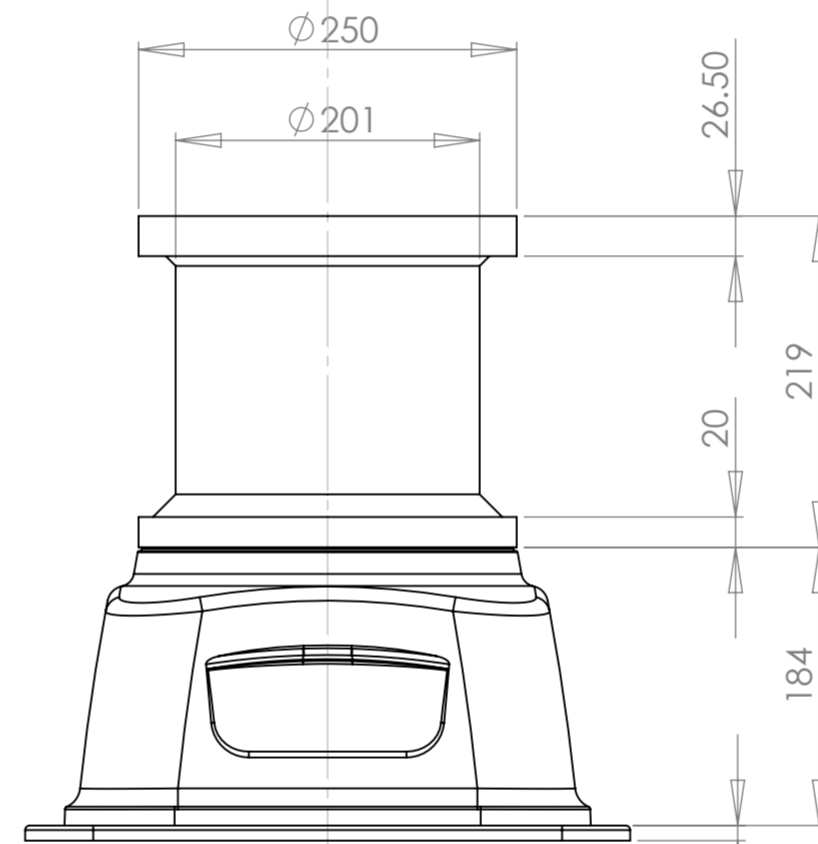


ISOMETRIC VIEW



MOUNTING PLATE FIXING HOLES



CASE FIXING HOLES

NOTES

PART No.	No. OFF	DESCRIPTION	DRAWING NUMBER
----------	---------	-------------	----------------

First issue: 07 November 2006 09:24:13	DRAWN BY HAR	ISSUE 1
Sheet 1 of 1		

TITLE **VEHICLE HOUSING - GA**

DRAWING NUMBER **PR150-010**

	5 Home Farm Ardington Oxfordshire OX12 8PD T: 01235 833785	Do not scale All dimensions in millimetres If in doubt - ask	
--	--	---	--