

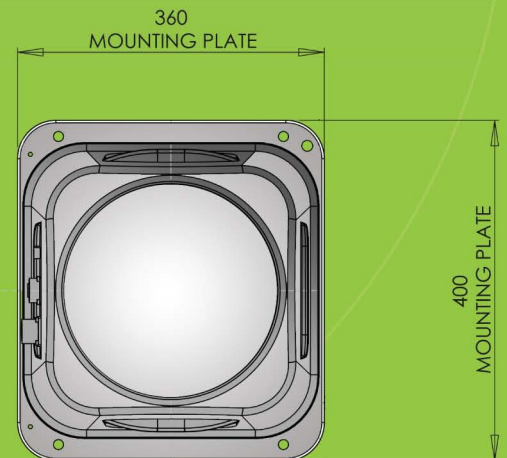
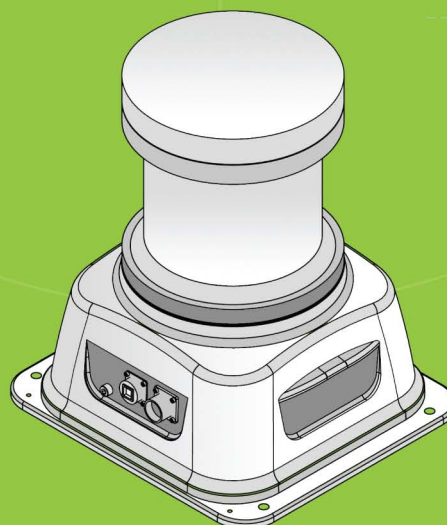
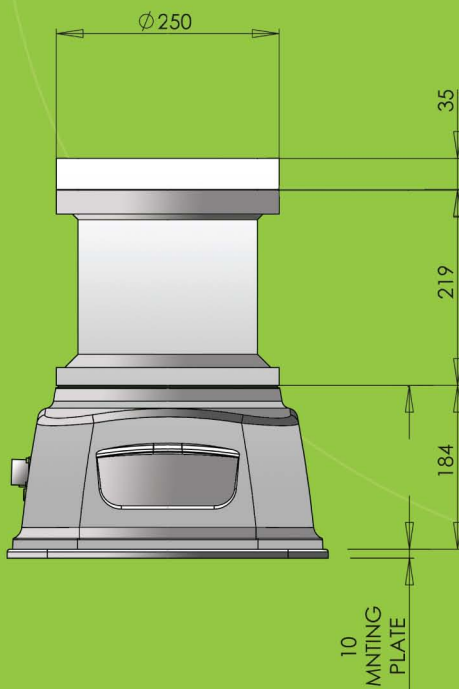
# Navtech Radar I350-X

## I350-X Overview

The Navtech I350-X is a compact, high performance, scanning radar system designed for static or mobile applications. With an industry standard network interface and low power consumption, it is very easy to use and integrate as part of a multi-radar system. Offering a 25cm range resolution the I350-X is ideal for applications that require cost effective, high resolution sensing in all weather conditions. Housed in a rugged industrialised enclosure, it is largely unaffected by environmental conditions such as rain, snow, smoke, dust and fog.

## Features

- Compact rugged design
- 100 Mbit Ethernet interface
- High range resolution – 25cm
- Fast scan rate – 1 revolution per second
- Low power consumption – 25W
- All weather operation
- High reliability
- Minimal maintenance required





## Data Sheet

### I 350-X

#### Technical Specifications

Maximum Range - Man	350m radius (700m total)
- Instrumented	500m radius (1000m total)
Resolution	25cm
Beamwidth-Azimuth	2°
Beamwidth-Elevation	variable
Measurement Rate	850 per second
Field of view	360°
Scan Rotational Speed/Rate	1 per second ( other speeds optional)
Interface	100 Mb Ethernet
Supply Voltage	18 - 32 Volts
Power Consumption	25 Watts
Weight	17kg

#### Environmental Compliance

IP 67  
 CE Approved  
 E.T.S.I. EN301091 V1.1.1(1998-06)  
 EMC 89/336/EEC  
 -20 to + 60C° (+70°C option available)

#### Operating Temperature

## Benefits of using the Navtech Radar I 350-X

### Flexible Mounting

The I 350-X can be mounted high on a wall, on the side or roof of a building or on a dedicated pole. In any event, above reach, out of harms way, and at a minimal risk of being tampered with when sited in a public place.

### Elevated view

Higher mounting gives the radar an elevated view down onto a location, for instance looking over parked cars. In this case, the novel elevation beam shape maintains both close and long range coverage.

