

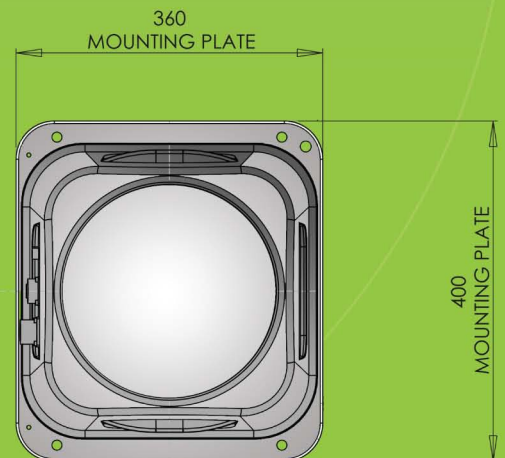
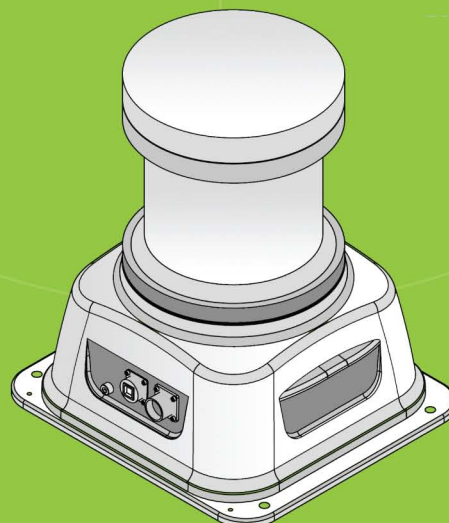
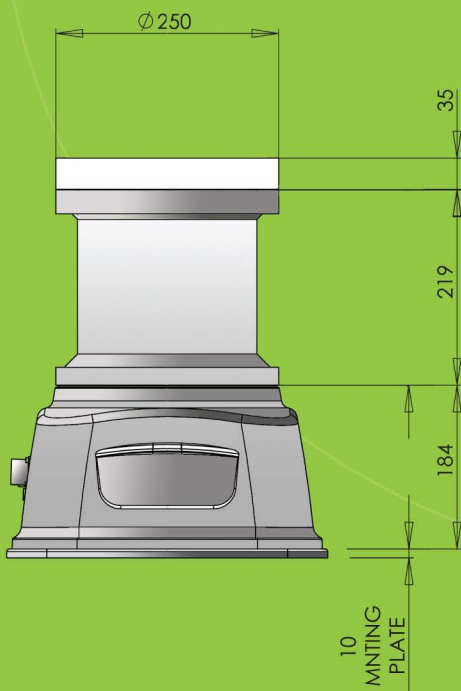
# Navtech Radar I500

## I500 Overview

The Navtech I500 is a compact, high performance, scanning radar system designed for static or mobile applications. With an industry standard network interface and low power consumption, it is very easy to use and integrate as part of a multi-radar system. Offering a 25cm range resolution the I500 is ideal for applications that require cost effective, high resolution sensing in all weather conditions. Housed in a rugged enclosure, it is largely unaffected by environmental conditions such as rain, snow, smoke, dust and fog.

## Features

- Compact rugged design
- 100 Mbit Ethernet interface
- High range resolution – 25cm
- Fast scan rate – 1 revolution per second
- Low power consumption – 25W
- All weather operation
- High reliability
- Minimal maintenance required





## Data Sheet

I 500

### Technical Specifications

Maximum Range	- Man	500m radius (1000m total)
	- Instrumented	800m radius (1600m total)
Resolution		25cm
Beamwidth-Azimuth		2°
Beamwidth-Elevation		2° and 3° (optional)
Measurement Rate		850 per second
Field of view		360°
Scan Rotational Speed/Rate		1 per second ( other speeds optional)
Interface		100 Mb Ethernet
Supply Voltage		18 - 32 Volts
Power Consumption		25 Watts
Weight		17kg

### Environmental Compliance

IP 67	
CE Approved	
E.T.S.I. EN301091 V1.1.1(1998-06)	
EMC 89/336/EEC	
Operating Temperature	-20 to + 60C° (+70°C option available)

