

# Navtech Radar W800-H

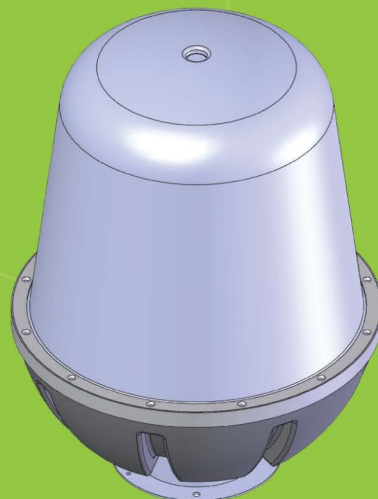
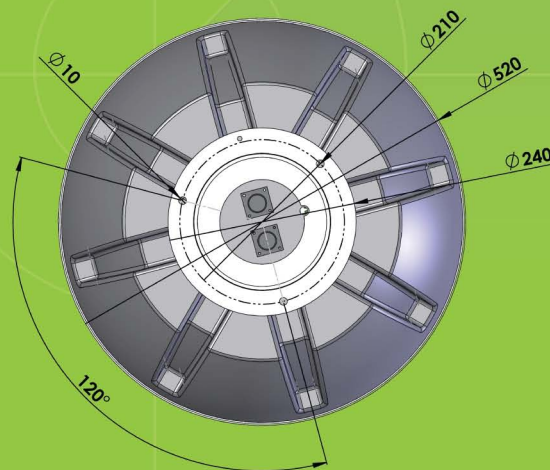
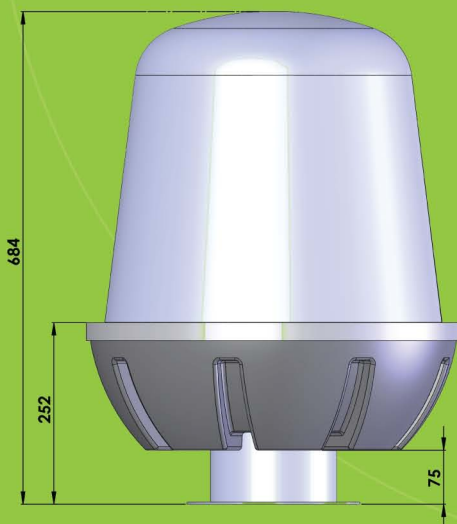
## W800-H Overview

The Navtech Radar W800-H detects moving or stationary objects up to 800m from the radar, over 360 degrees. It covers wide detection areas with an extended range from a single sensor. It is designed for use in open areas with long range line of sight and can be combined with other sensors in the Navtech range to provide part of a multi-sensor network.

Housed in a lightweight rugged enclosure with an industry standard network interface makes it easy to use and install. The Navtech Radar W800-H offers a 25cm range resolution and is ideal for applications that require long range and cost effective sensing. The ability to operate reliably in all weather conditions such as rain, snow, dust and fog makes the sensor the best choice for many outdoor applications, and the low transmitted power ensures it causes no adverse effects when operating in close proximity to people.

## Features

- Compact rugged design
- 100 Mbit Ethernet interface
- High range resolution – 25cm
- Fast scan rate – 1 revolution per second
- Low power consumption – 25W
- All weather operation
- High reliability





## Data Sheet

### W800-H

#### Technical Specifications

Maximum Range	- Man	800m radius (1600m total)
	- Car	800m radius (1600m total)
Resolution		25cm
Beamwidth-Azimuth		1°
Beamwidth-Elevation		1°
Measurement Rate		850 per second
Field of view		360°
Scan Rotational Speed/Rate		1 per second
Interface		100 Mb Ethernet
Supply Voltage		18 - 32 Volts
Power Consumption		25 Watts
Weight		17kg

#### Environmental Compliance

IP 67  
 CE Approved  
 E.T.S.I. EN301091 V1.1.1(1998-06)  
 EMC 89/336/EEC

#### Operating Temperature

-20 to + 60C°

